

SULZER

Massblatt XFP 150G-VX Trockeninstallation
Dimension sheet DRY-WELL Installation
Dimensioni Installazione a secco
Hoja de dimensiones instalación en seco
Plan d'encombrement Installation à sec

No: AN-M.22.652 - 02
Drawn: 25/11/10 D.Whelan
Issue Date: 09/05/2013
Änderungen vorbehalten
Technical changes reserved
Con riserva di modifiche
Con reserva de modificaciones
Sous réserve de modification

50 Hz

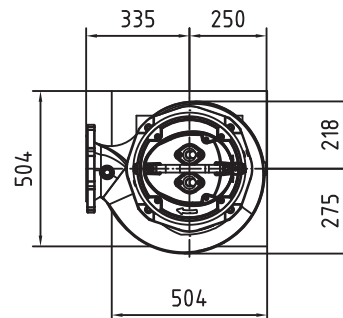
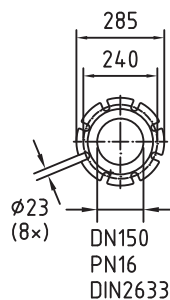
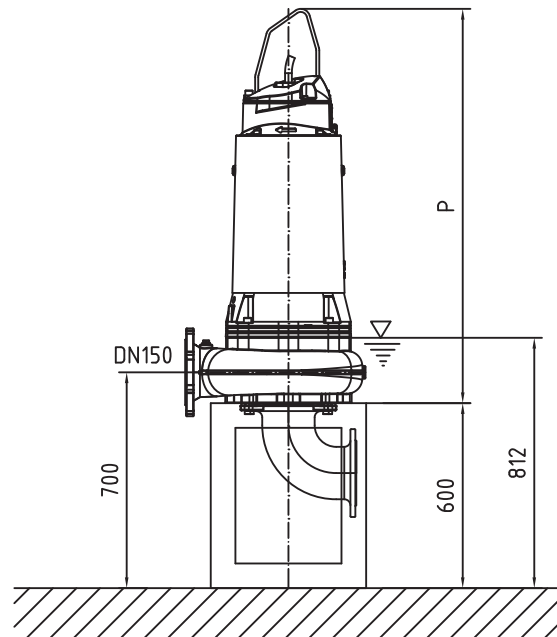
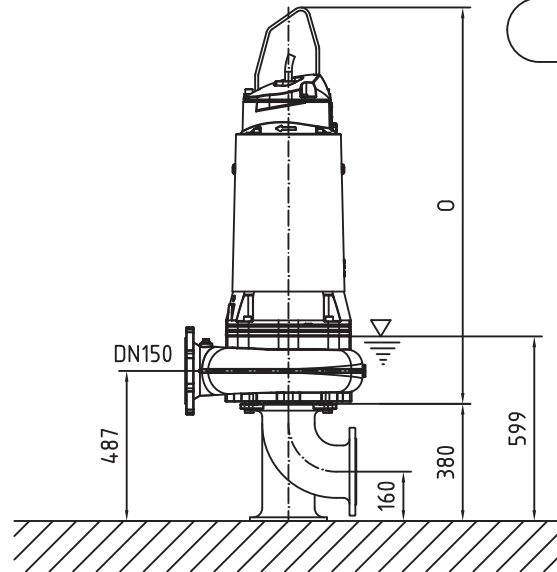
Typ Type Tipo	Gewicht Weight Poids N.C.J. (kg)	Gewicht Weight Poids W.C.J. (kg)	O (mm)	P (mm)
PE 110/4	330	380	1286	1279
PE 140/4	330	380	1286	1279
PE 160/4	360	400	1286	1279
PE 185/4	360	400	1286	1279

60 Hz

Typ Type Tipo	Gewicht Weight Poids N.C.J. (kg)	Gewicht Weight Poids W.C.J. (kg)	O (mm)	P (mm)

N.C.J. = No Cooling Jacket
W.C.J. = With Cooling Jacket

S.I.



Gewicht: Beinhaltet Pumpe und Kabel (50 Hz = 10 m; 60 Hz = 15 m)
Weight: includes pump and cable (50 Hz = 10 m; 60 Hz = 15 m)
Peso: include bomba e cavo (50 Hz = 10 m; 60 Hz = 15 m)
Peso: Incluye bomba y cable (50 Hz = 10 m; 60 Hz = 15 m)
Poids : incluant la pompe et le câble (50 Hz = 10 m; 60 Hz = 15 m)

Guss-Allgemeintoleranzen nach DIN1680 - GTB16
General tolerances for castings in acc. to DIN1680-GTB16
Tolleranze generali delle fusioni secondo DIN1680-GTB16
Tolerancias generales para la fundición seg. de DIN1680-GTB16
Tolérance générale de la fonderie selon DIN1680-GTB16

SULZER

Massblatt XFP 150G-VX Trockeninstallation

No: AN-M.22.652 - 02

Dimension sheet DRY-WELL Installation

Drawn: 25/11/10 D.Whelan

Dimensioni Installazione a secco

Issue Date: 09/05/2013

Hoja de dimensiones instalación en seco

Änderungen vorbehalten
Technical changes reserved
Con riserva di modifiche
Con reserva de modificaciones
Sous réserve de modification

Plan d'encombrement Installation à sec

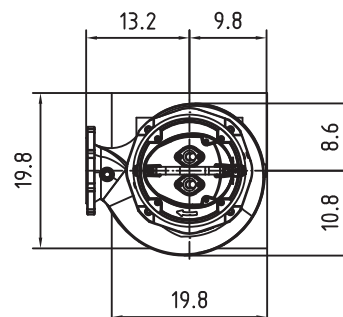
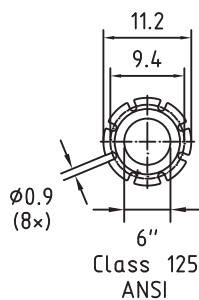
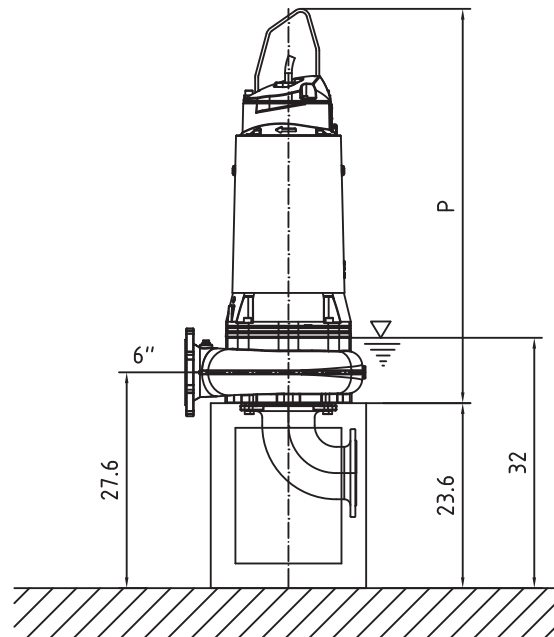
50 Hz**U.S.**

Typ Type Tipo	Gewicht Weight Poids N.C.J. (lbs)	Gewicht Weight Poids W.C.J. (lbs)	P (")
PE 110/4	726	836	50.4
PE 140/4	726	836	50.4
PE 160/4	792	880	50.4
PE 185/4	792	880	50.4

60 Hz

Typ Type Tipo	Gewicht Weight Poids N.C.J. (lbs)	Gewicht Weight Poids W.C.J. (lbs)	P (")

N.C.J. = No Cooling Jacket
W.C.J. = With Cooling Jacket



Gewicht: Beinhaltet Pumpe und Kabel (50 Hz = 10 m; 60 Hz = 15 m)
Weight: includes pump and cable (50 Hz = 10 m; 60 Hz = 15 m)
Peso: include bomba e cavo (50 Hz = 10 m; 60 Hz = 15 m)
Peso: Incluye bomba y cable (50 Hz = 10 m; 60 Hz = 15 m)
Poids : incluant la pompe et le câble (50 Hz = 10 m; 60 Hz = 15 m)

Guss-Allgemeintoleranzen nach DIN1680 - GTB16
General tolerances for castings in acc. to DIN1680-GTB16
Tolleranze generali delle fusioni secondo DIN1680-GTB16
Tolerancias generales para la fundición seg. de DIN1680-GTB16
Tolérance générale de la fonderie selon DIN1680-GTB16